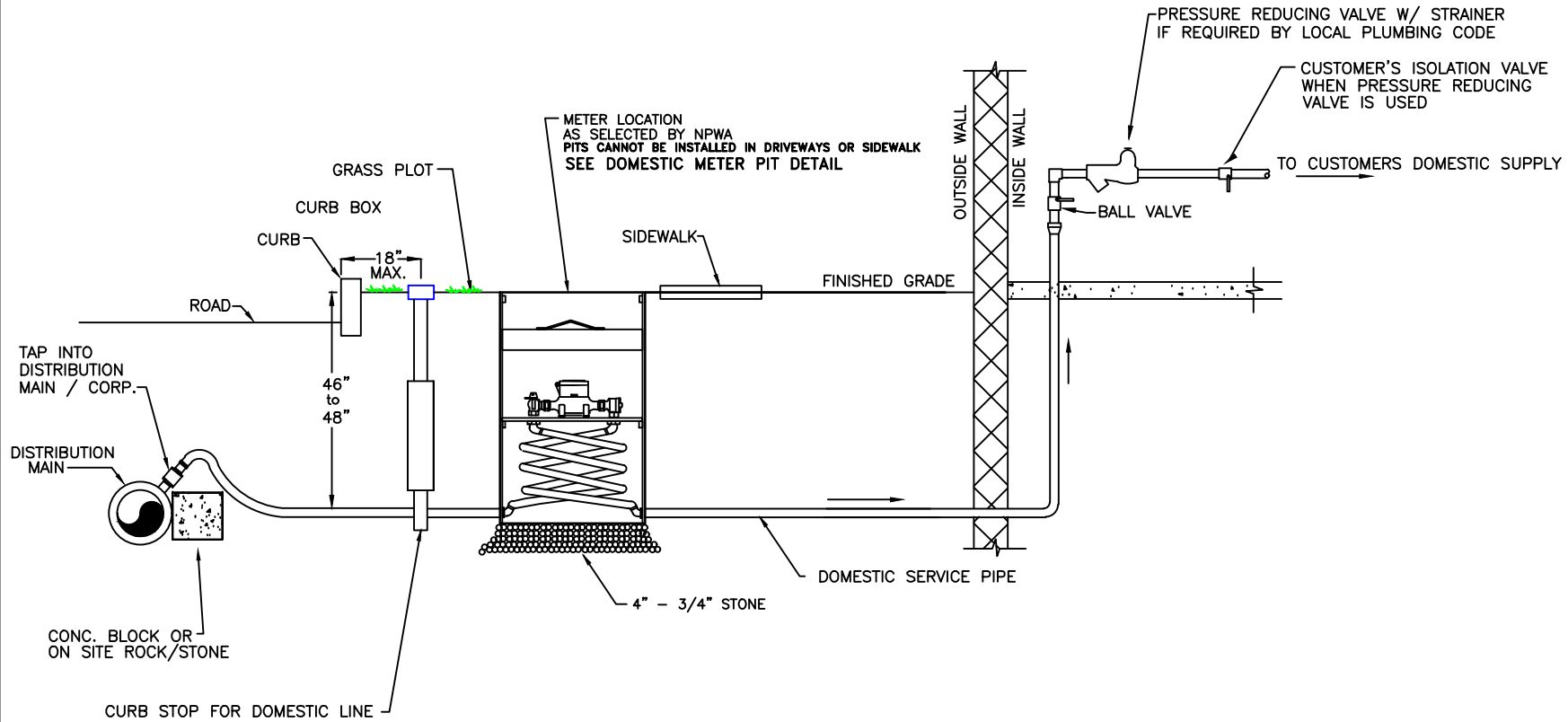


NOTES:

- 1.) Materials for Service Line shall be purchased by the Developer.
- 2.) All materials must be approved by NPWA through submissions of cut sheets of required materials.
- 3.) NPWA shall furnish & install the meter and ancillary reading device.
- 4.) The use of Lead-Free Solder, flux and other plumbing materials is required by federal law.
- 5.) Any service line may use PE 165PSI.
- 6.) Backflow prevention devices are required on all NPWA water service lines.
Therefore, a thermal expansion tank must be installed on the supply side of the hot water system, as directed by the "Uniform Plumbing Code" (UPC).
- 7.) WATER METER WILL NOT BE SET IF PIPING DOES NOT CONFORM TO SPECIFICATIONS.



**OUTSIDE METER PIT
DOMESTIC SERVICE CONNECTION DETAIL**

REVISIONS <small>1. UPDATED PLAN AND REVISION CHECK VALUE - MS 11.8.2010</small>
--

TYPICAL DOMESTIC SERVICE CONNECTION (OUTSIDE PIT) METER CONFIGURATION	
<small>SCALE</small> NO SCALE	<small>DATE</small> 6-20-16
<small>DRN BY</small> STAFF	<small>USE DIMENSIONS ONLY</small>
<small>CHECKED</small> APPROVED	<small>USE APPROVED DRAWINGS ONLY FOR CONSTRUCTION PURPOSES</small>

<small>SIZE</small> A	<small>PLAN SHEET NUMBER</small> 1 of 1
<small>DRAWING No.</small> 04-0233 K3	